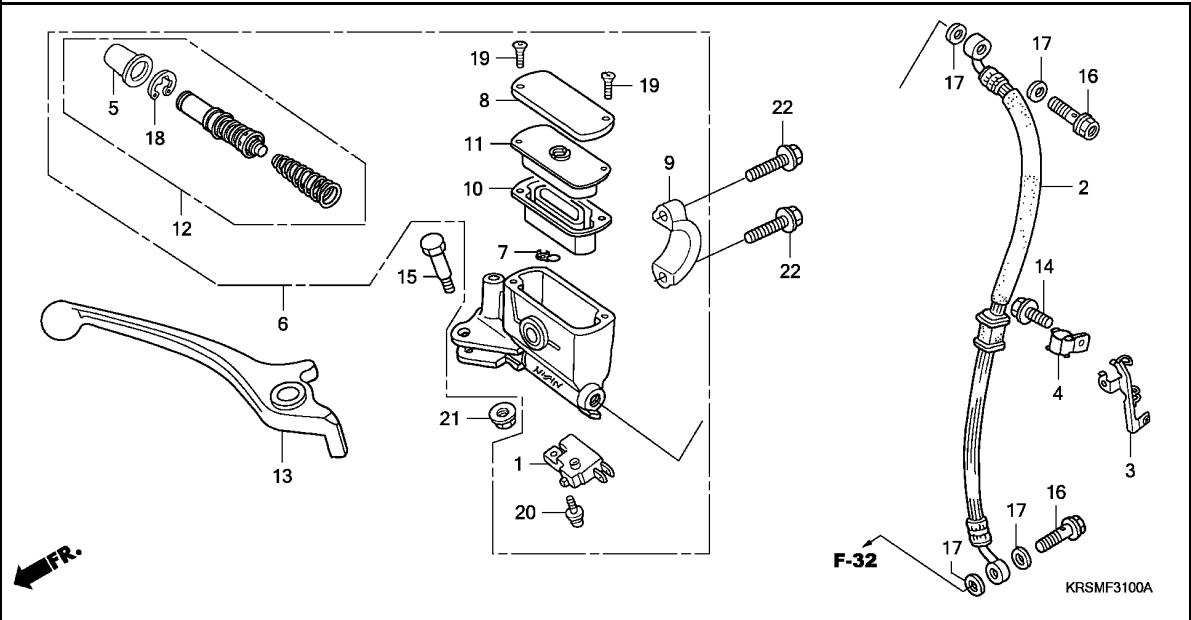


F-31

FRONT BRAKE MASTER CYLINDER

K13



Ref. No.	L.O.N.	(Relative ref. Number) Description	F.R.T.
1	6151B2	SWITCH, FRONT STOP	0.3
2	7121A0	HOSE, FRONT BRAKE	0.7
		.INCLUDES: Bleed brakes	
6	712105	CYLINDER, FRONT BRAKE MASTER	0.7
		.INCLUDES: Bleed brakes	
10	7121G6	DIAPHRAGM, FRONT BRAKE MASTER	0.1
12	7121G9	PISTON SET, FRONT BRAKE MASTER	0.7
		.INCLUDES: Bleed brakes	
13	8101C7	LEVER, HANDLE :RIGHT	0.3

Ref. No.	Part No.	Description	Reqd. QTY					Serial No.	Parts catalogue code
			NF100	4	5	6	ANF100		
1	35340-KGH-901	SWITCH ASSY., FR. STOP	-	-	1	-	1	-----	MSRMA,SRMA
2	45126-KTL-641	HOSE COMP., FR. BRAKE	-	-	1	-	1	-----	MSRMA,SRMA
3	45156-KTL-750	CLAMPER, BRAKE HOSE	-	-	1	-	1	-----	MSRMA,SRMA
4	45157-KAN-850	CLAMPER B, BRAKE HOSE	-	-	1	-	1	-----	MSRMA,SRMA
5	45504-410-003	BOOT COMP.	-	-	1	-	1	-----	MSRMA,SRMA
6	45510-KFL-D31	CYLINDER SUB ASSY., FR. BRAKE MASTER (NISSIN)	-	-	1	-	1	-----	MSRMA,SRMA
7	45512-MA6-006	PROTECTOR	-	-	1	-	1	-----	MSRMA,SRMA
8	45513-GW0-911	CAP, MASTER CYLINDER	-	-	1	-	1	-----	MSRMA,SRMA
9	45517-GW0-751	HOLDER, MASTER CYLINDER	-	-	1	-	1	-----	MSRMA,SRMA
10	45520-GW0-911	DIAPHRAGM	-	-	1	-	1	-----	MSRMA,SRMA
11	45521-GW0-911	PLATE, DIAPHRAGM	-	-	1	-	1	-----	MSRMA,SRMA
12	45530-471-831	CYLINDER SET, MASTER	-	-	1	-	1	-----	MSRMA,SRMA
13	53175-KET-921	LEVER, R. STEERING HANDLE	-	-	1	-	1	-----	MSRMA,SRMA
14	90102-KGH-900	BOLT, FLANGE, 6X10	-	-	1	-	1	-----	MSRMA,SRMA
15	90114-KGH-900	BOLT, HANDLE LEVER PIVOT	-	-	1	-	1	-----	MSRMA,SRMA
16	90145-KM3-751	BOLT, OIL, 10X22(SAGA)	-	-	2	-	2	-----	MSRMA,SRMA
	90145-KPH-B30	BOLT, OIL, 10X22(NISSIN)	-	-	2	-	2	-----	MSRMA,SRMA
17	90545-300-000	WASHER, OIL BOLT	-	-	4	-	4	-----	MSRMA,SRMA
18	90651-MA5-671	CIRCLIP	-	-	1	-	1	-----	MSRMA,SRMA
19	93600-04012-1G	SCREW, FLAT, 4X12	-	-	2	-	2	-----	MSRMA,SRMA
20	93893-04012-17	SCREW-WASHER, 4X12	-	-	1	-	1	-----	MSRMA,SRMA
21	94050-06000	NUT, FLANGE, 6MM	-	-	1	-	1	-----	MSRMA,SRMA
22	95701-06022-07	BOLT, FLANGE, 6X22	-	-	2	-	2	-----	MSRMA,SRMA

3