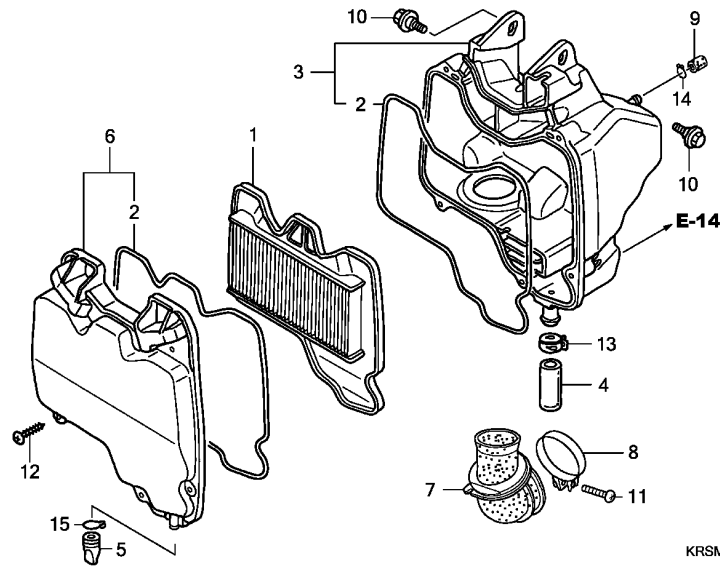


F-15-1

AIR CLEANER (ANF100DR/SR/MSR)

16



Ref. No.	L.O.N.	(Relative ref. Number) Description	F.R.T.
1	312105	ELEMENT, AIR CLEANER	0.2
3	3121A5	CASE, AIR CLEANER	0.5
6	312102	COVER, AIR CLEANER CASE	0.2
7	3121B6	TUBE, AIR CLEANER CONNECTING ..	0.4

Ref. No.	Part No.	Description	Reqd. QTY					Serial No.	Parts catalogue code
			NF100 4	5	6	ANF100 8	9		
1	17210-KPH-900	ELEMENT COMP., AIR CLEANER ..	-	-	1	1	1		
2	17213-KPH-900	SEAL, AIR CLEANER COVER	-	-	2	2	2		
3	17225-KPH-900	CASE SUB ASSY., AIR CLEANER ..	-	-	1	1	1		
4	17227-HC0-000	TUBE, VINYL, 11X15X45	-	-	1	1	1		
5	17234-KCW-871	TUBE, AIR CLEANER DRAIN	-	-	1	1	1		
6	17235-KPH-700	COVER SUB ASSY., AIR CLEANER ..	-	-	1	1	1		
7	17253-KTL-740	TUBE, AIR CLEANER CONNECTING ..	-	-	1	1	1		
8	17256-053-010	BAND B, AIR CLEANER CONNECTING TUBE	-	-	1	1	1		
9	17358-KFM-890	CAP, AIR CLEANER	-	-	1	1	1		
10	90116-ME9-000	BOLT, FLANGE, 6MM	-	-	2	2	2		
11	93500-05020-0A	SCREW, PAN, 5X20	-	-	1	1	1		
12	93903-25510	SCREW, TAPPING, 5X25	-	-	5	5	5		
13	95002-41300-08	CLAMP, TUBE (D13)	-	-	1	1	1		
14	95002-50000	CLIP, TUBE (C9)	-	-	1	1	1		
15	95002-80000	CLIP, TUBE (C12)	-	-	1	1	1		

3