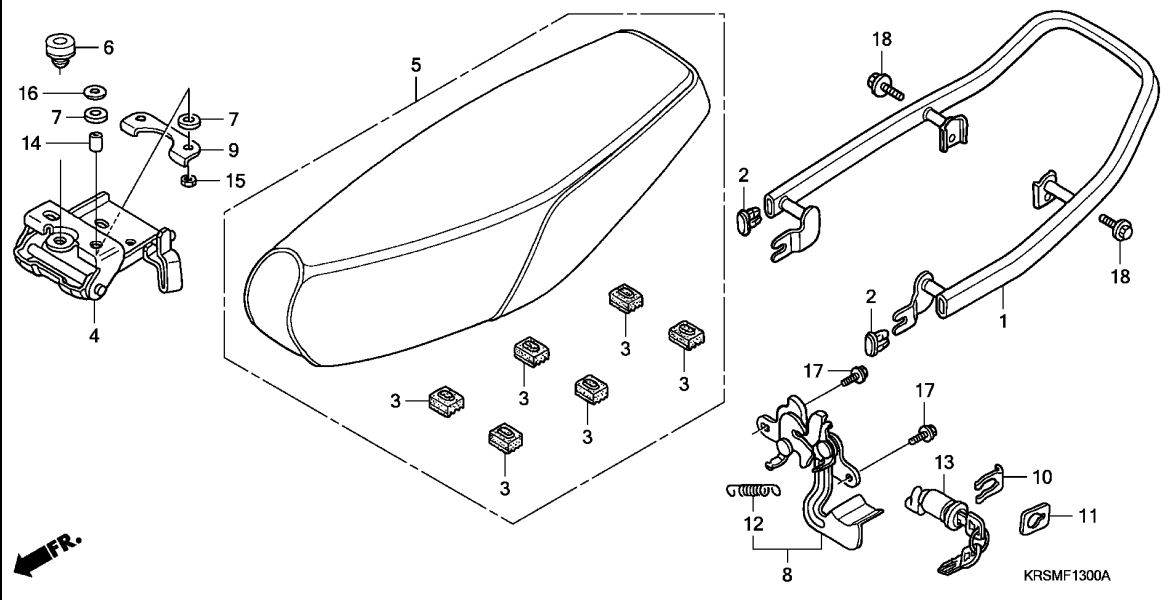


F-13

SEAT (NF100/M/DM/MDM)

H15



Ref. No.	L.O.N.	(Relative ref. Number) Description	F.R.T.
1	4131F6	RAIL, GRAB :REAR	0.3
4	4131P0	HINGE, SEAT	0.1
5	4131E4	SEAT :DOUBLE	0.1
8	4131E8	CATCH, SEAT :REAR SIDE	0.3
13	4131F2	KEY, SEAT LOCK	0.3

Ref. No.	Part No.	Description	Reqd. QTY					Serial No.	Parts catalogue code
			NF100 4	5	6	ANF100 8	9		
1	50410-KRS-940	PIPE, RR. GRIP	1	1	-	-	-		
2	50415-GN5-730	CAP, RR. GRIP PIPE END	2	2	-	-	-		
3	50524-KEV-900	RUBBER, MAIN STAND STOPPER ..	6	6	-	-	-		
4	77110-KRS-940	HINGE COMP., SEAT	1	1	-	-	-		
5	77200-KRS-940	SEAT COMP., DOUBLE	1	1	-	-	-		
6	77206-KW6-900	RUBBER, SEAT CUSHION	1	1	-	-	-		
7	77207-GN5-910	RUBBER B, SEAT MOUNTING	4	4	-	-	-		
8	77230-KEV-900	SEAT LOCK COMP.	1	1	-	-	-		
9	77235-KEV-900	PLATE, SEAT HINGE	1	1	-	-	-		
10	77235-469-000	SPRING, LOCK KEY SETTING	1	1	-	-	-		
11	77236-GW0-000	WASHER, SEAT LOCK	1	1	-	-	-		
12	77237-KEV-900	SPRING, SEAT CATCH	1	1	-	-	-		
13	77239-KET-940	KEY, SEAT LOCK	1	1	-	-	-		
	77239-GB2-721	-	1	-	-	-		
14	90324-GN5-730	COLLAR, SEAT MOUNTING	2	2	-	-	-		
15	94001-06070-0S	NUT, HEX., 6MM	2	2	-	-	-		
16	94103-06000	WASHER, PLAIN, 6MM	2	2	-	-	-		
17	95701-06012-00	BOLT, FLANGE, 6X12	2	2	-	-	-		
18	95701-08014-00	BOLT, FLANGE, 8X14	2	2	-	-	-		

3