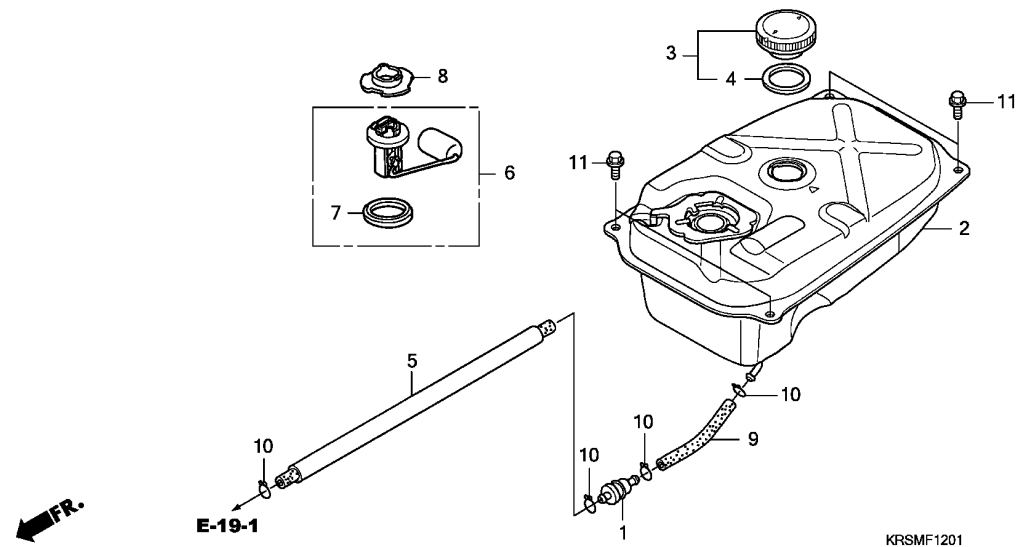


F-12-1

FUEL TANK (ANF100DR/SR/MSR)

H14



| Ref. No. | L.O.N. | (Relative ref. Number) Description | F.R.T. |
|----------|--------|------------------------------------|--------|
| 1 | 310160 | STRAINER, FUEL | 0.5 |
| 2 | 310100 | TANK, FUEL | 0.6 |
| 6 | 3101C0 | METER, FUEL | 0.2 |

| Ref. No. | Part No. | Description | Reqd. QTY | | | | | Serial No. | Parts catalogue code |
|----------|----------------|--------------------------------|-----------|---|---|----------|---|------------|----------------------|
| | | | NF100 4 | 5 | 6 | ANF100 8 | 9 | | |
| 1 | 16910-KFM-902 | STRAINER COMP., FUEL | - | - | 1 | 1 | 1 | | |
| 2 | 17510-KTL-740 | TANK COMP., FUEL | - | - | 1 | - | - | | |
| | 17510-KVL-910 | | - | - | - | 1 | 1 | | |
| 3 | 17620-KEV-900 | CAP COMP., FUEL FILLER | - | - | 1 | 1 | 1 | | |
| 4 | 17631-KEV-900 | PACKING, FUEL FILLER CAP | - | - | 1 | 1 | 1 | | |
| 5 | 17631-KTL-850 | TUBE, FUEL, 5.3X600 | - | - | 1 | 1 | 1 | | |
| 6 | 37010-KTL-740 | FUEL UNIT SET | - | - | 1 | 1 | 1 | | |
| 7 | 37801-GA7-700 | PACKING, BASE | - | - | 1 | 1 | 1 | | |
| 8 | 37802-KTL-740 | RETAINER, FUEL UNIT | - | - | 1 | 1 | 1 | | |
| 9 | 95001-55040-40 | TUBE, FUEL, 5.3X40 | - | - | 1 | 1 | 1 | | |
| | | (95001-55001-60M) | - | - | 1 | 1 | 1 | | |
| 10 | 95002-02100 | CLIP, TUBE (B10) | - | - | 4 | 4 | 4 | | |
| 11 | 95701-06012-00 | BOLT, FLANGE, 6X12 | - | - | 4 | 4 | 4 | | |

3