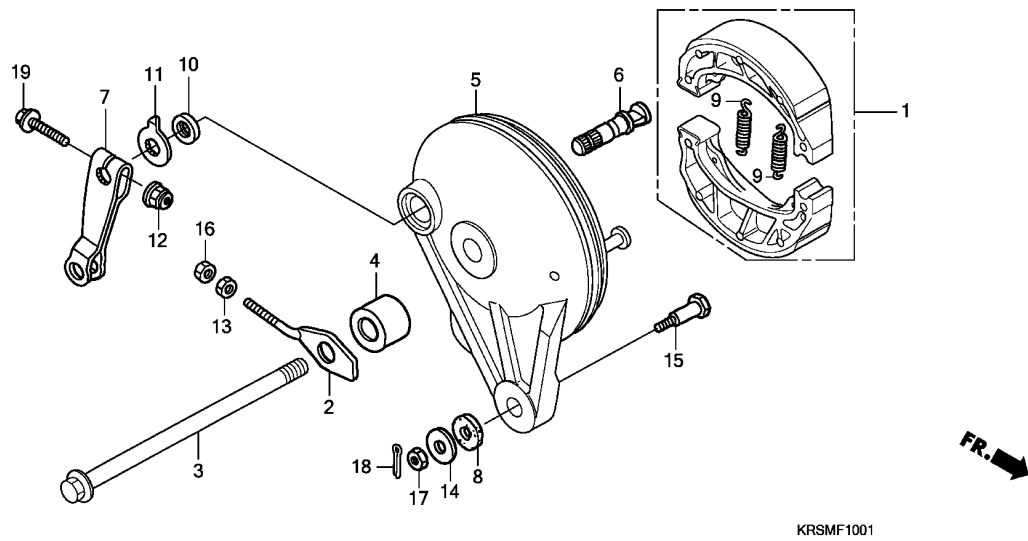


F-10-1

REAR BRAKE PANEL (ANF100DR/SR/MSR)

H 9



Ref. No.	L.O.N.	(Relative ref. Number) Description	F.R.T.
1	711140	SHOE(PAD) SET, BRAKE :REAR ...	0.4
3	710160	AXLE, REAR WHEEL	0.3
5		(6)	
	7111A9	PANEL, REAR BRAKE	0.5
7	7111C4	ARM, BRAKE :REAR	0.1

3

Ref. No.	Part No.	Description	Reqd. QTY					Serial No.	Parts catalogue code
			NF100 4	5	6	ANF100 8	9		
1	06430-KPH-900	SHOE SET, BRAKE	-	-	1	1	1		
2	40543-KEV-900	ADJUSTER, R. CHAIN	-	-	1	1	1		
3	42301-KPG-900	AXLE, RR. WHEEL	-	-	1	1	1		
4	42313-GBG-B20	COLLAR, RR. BRAKE PANEL SIDE	-	-	1	1	1		
5	43100-KPH-700ZA	PANEL COMP., RR. BRAKE *NH364M*SHEEN SILVER METALLIC	-	-	1	1	1		
6	43141-GC5-000	CAM, RR. BRAKE	-	-	1	-	-		
	43141-GC5-003	-	-	1	1	1		
7	43410-KPH-900	ARM, RR. BRAKE	-	-	1	1	1		
8	43434-ME1-670	RUBBER, STOPPER ARM	-	-	1	1	1		
9	45133-028-000	SPRING, BRAKE SHOE	-	-	2	2	2		
10	45134-250-000	DUST SEAL, BRAKE CAM	-	-	1	1	1		
11	45145-KFM-900	INDICATOR, FR. BRAKE	-	-	1	1	1		
12	90301-KGH-901	NUT, U, 6MM	-	-	1	1	1		
13	90302-KBP-900	NUT, SPECIAL, 6MM	-	-	1	1	1		
14	90505-425-000	WASHER, 8MM	-	-	1	1	1		
15	92811-10000	BOLT A, BRAKE STOPPER	-	-	1	1	1		
16	94001-06000-0S	NUT, HEX., 6MM	-	-	1	1	1		
17	94001-08000-0S	NUT, HEX., 8MM	-	-	1	1	1		
18	94201-20150	PIN, SPLIT, 2.0X15	-	-	1	1	1		
19	95701-06035-00	BOLT, FLANGE, 6X35	-	-	1	1	1		