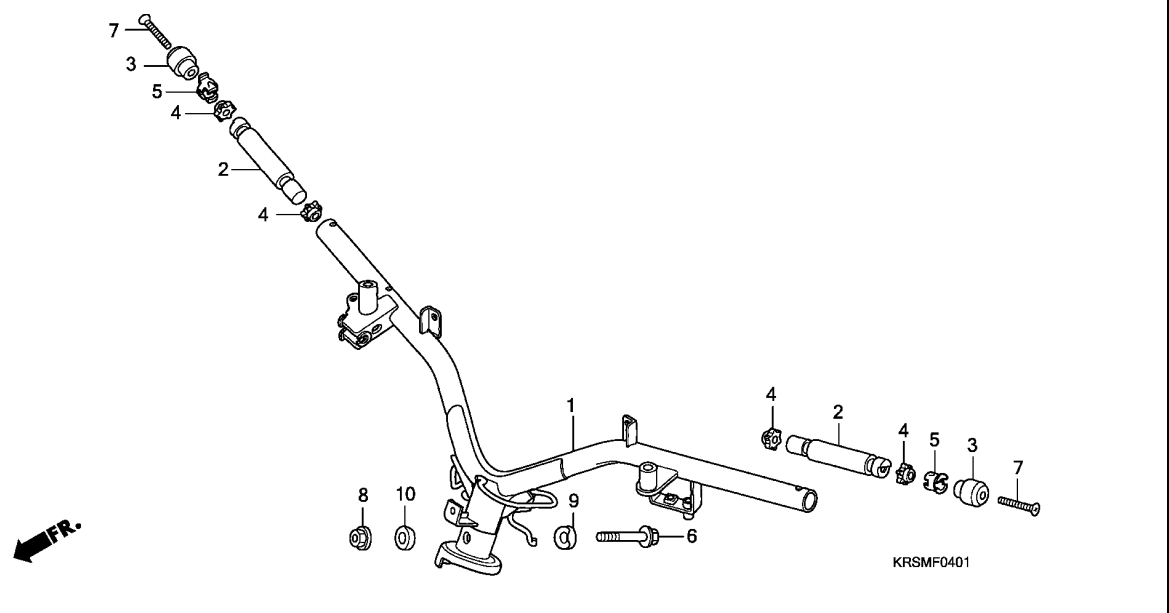


F-4-1

HANDLE PIPE (ANF100DR/SR/MSR)

G11



Ref. No.	L.O.N.	(Relative ref. Number) Description	F.R.T.
1	810100	PIPE, STEERING HANDLE	0.9
2	8101D6	WEIGHT B, HANDLE :LEFT	0.2
	8101D7	WEIGHT B, HANDLE :RIGHT	0.2
	8101D8	WEIGHT B, HANDLE :BOTH	0.4

3

Ref. No.	Part No.	Description	Reqd. QTY				Serial No.	Parts catalogue code
			NF100 4	5	ANF100 6	8		
1	53100-KTL-740	PIPE COMP., STEERING HANDLE (DRUM)	-	-	1	-	1	----- DRMA
	53100-KTL-750	PIPE COMP., STEERING HANDLE (DISK)	-	-	-	1	-	----- MSRMA,SRMA
2	53104-KPH-950	WEIGHT B, STEERING HANDLE ...	-	-	2	2	2	
3	53105-KPH-950	WEIGHT A, STEERING HANDLE ...	-	-	2	2	2	
4	53106-KR3-000	RUBBER A, HANDLE WEIGHT	-	-	4	4	4	
5	53108-KR3-770	RING, HANDLE WEIGHT SNAP	-	-	2	2	2	
6	90106-GN5-900	BOLT, FLANGE, 10X50	-	-	1	1	1	
7	90191-KPP-900	SCREW, OVAL, 6X50	-	-	2	2	2	
8	90304-KGH-901	NUT, U, 10MM	-	-	1	1	1	
9	90501-KPH-880	COLLAR A, HANDLE SETTING	-	-	1	1	1	
10	90505-KPH-880	COLLAR B, HANDLE SETTING	-	-	1	1	1	