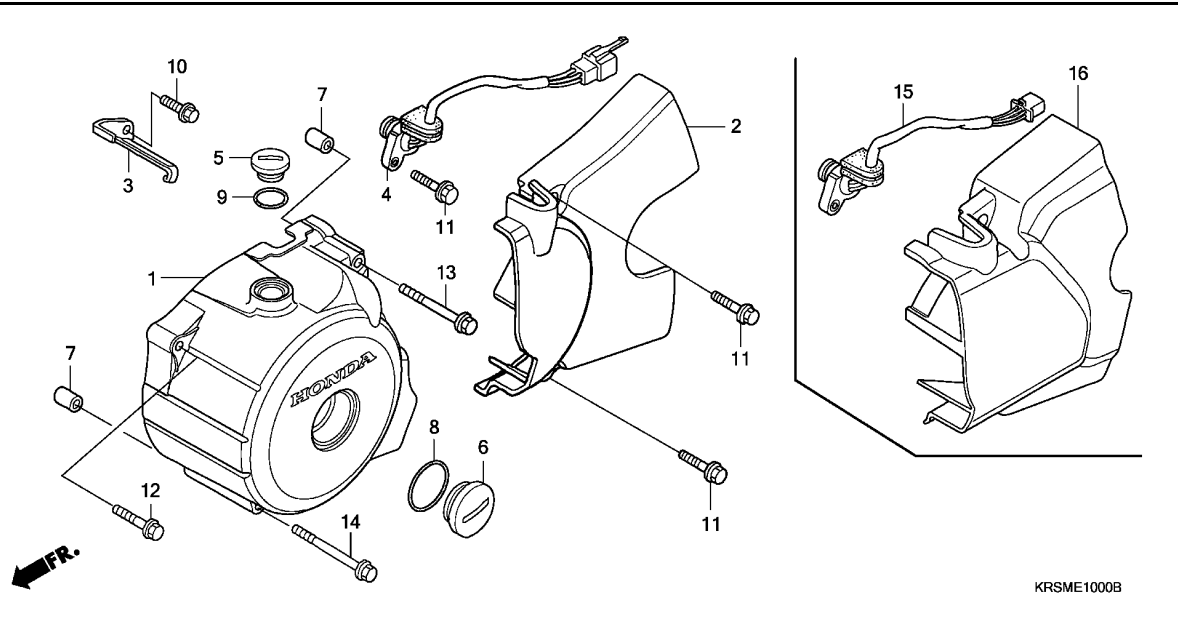


E-10

LEFT CRANKCASE COVER (NF100/DM/ANF100DR/SR)

E13



| Ref. No. | L.O.N. | (Relative ref. Number) Description | F.R.T. |
|----------|--------|------------------------------------|--------|
| 1 | 1101A6 | COVER, CRANKCASE :LEFT (16) | 0.4 |
| 2 | 1101B0 | COVER, CRANKCASE :LEFT REAR .. | 0.1 |
| 4 | 615125 | SWITCH, GEAR CHANGE | 0.5 |
| 15 | 615125 | SWITCH, GEAR CHANGE | 0.6 |

| Ref. No. | Part No. | Description | Reqd. QTY | | | | | Serial No. | Parts catalogue code |
|----------|----------------|-------------------------------|-----------|---|---|----------|---|-------------------|----------------------|
| | | | NF100 4 | 5 | 6 | ANF100 8 | 9 | | |
| 1 | 11341-KRS-940 | COVER, L. CRANKCASE | 1 | 1 | - | - | - | DMMA,MA | |
| | 11341-KRS-620 | | - | - | 1 | - | - | DRMA,SRMA | |
| 2 | 11360-KRS-940 | COVER, L. RR. CRANKCASE | 1 | 1 | - | - | - | DMMA,MA | |
| 3 | 32961-KFL-850 | CLAMPER, A.C. GENERATOR CORD | 1 | 1 | 1 | - | 1 | DMMA,DRMA,MA,SRMA | |
| 4 | 35759-KFL-852 | CONTACT ASSY., CHANGE SWITCH | 1 | 1 | - | - | - | DMMA,MA | |
| 5 | 90084-GN5-830 | CAP, A.C. GENERATOR | 1 | 1 | - | - | - | DMMA,MA | |
| | 90084-GN5-640 | | - | - | 1 | - | 1 | DRMA,SRMA | |
| 6 | 90087-GN5-830 | CAP, 30MM | 1 | 1 | - | - | - | DMMA,MA | |
| | 90087-GN5-640 | | - | - | 1 | - | 1 | DRMA,SRMA | |
| 7 | 90702-KFM-900 | DOWEL PIN, 8X12 | 2 | 2 | 2 | - | 2 | DMMA,DRMA,MA,SRMA | |
| 8 | 91301-028-000 | O-RING, 27X2.0 | 1 | 1 | 1 | - | 1 | DMMA,DRMA,MA,SRMA | |
| 9 | 91303-377-000 | O-RING, 13.8X2.5 | 1 | 1 | 1 | - | 1 | DMMA,DRMA,MA,SRMA | |
| 10 | 96001-06016-00 | BOLT, FLANGE, 6X16 | 1 | 1 | 1 | - | 1 | DMMA,DRMA,MA,SRMA | |
| | | | - | - | - | 1 | - | | |
| 11 | 96001-06020-00 | BOLT, FLANGE, 6X20 | 3 | 3 | 3 | - | 3 | DMMA,DRMA,MA,SRMA | |
| | | | - | - | - | 3 | - | | |
| 12 | 96001-06032-00 | BOLT, FLANGE, 6X32 | 1 | 1 | 1 | - | 1 | DMMA,DRMA,MA,SRMA | |
| | | | - | - | - | 1 | - | | |
| 13 | 96001-06060-00 | BOLT, FLANGE, 6X60 | 1 | 1 | 1 | - | 1 | DMMA,DRMA,MA,SRMA | |
| | | | - | - | - | 1 | - | | |

