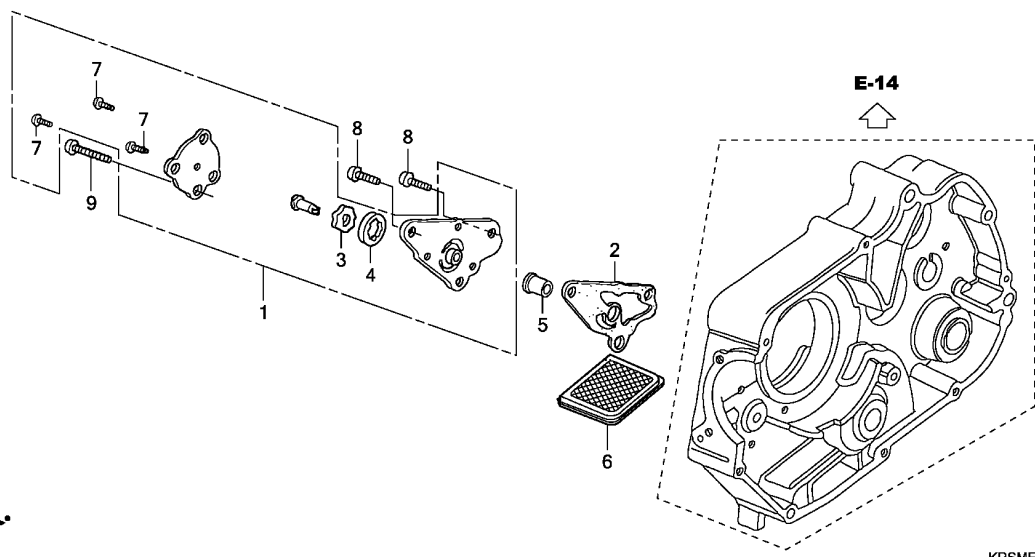


E-9

OIL PUMP

E12



Ref. No.	L.O.N.	(Relative ref. Number) Description	F.R.T.
1		(2)	
113105		PUMP ASSY., OIL	1.2
1131B5		SCREEN, OIL FILTER	0.6

KRSME0900

Ref. No.	Part No.	Description	Reqd. QTY					Serial No.	Parts catalogue code
			NF100 4	NF100 5	ANF100 6	ANF100 8	ANF100 9		
1	15100-GBG-931	PUMP ASSY., OIL (YAMADA)	1	1	1	1	1		
2	15119-178-000	GASKET, OIL PUMP BODY	1	1	1	1	1		
3	15331-GF6-000	ROTOR, OIL PUMP INNER	1	1	1	1	1		
4	15332-GF6-000	ROTOR, OIL PUMP OUTER	1	1	1	1	1		
5	15384-178-000	PIVOT, OIL PUMP	1	1	1	1	1		
6	15421-035-010	SCREEN, OIL FILTER	1	1	1	1	1		
7	93500-05010-0A	SCREW, PAN, 5X10	3	3	3	3	3		
8	93500-06016-0A	SCREW, PAN, 6X16	2	2	2	2	2		
9	93500-06022-0A	SCREW, PAN, 6X22	1	1	1	1	1		

2