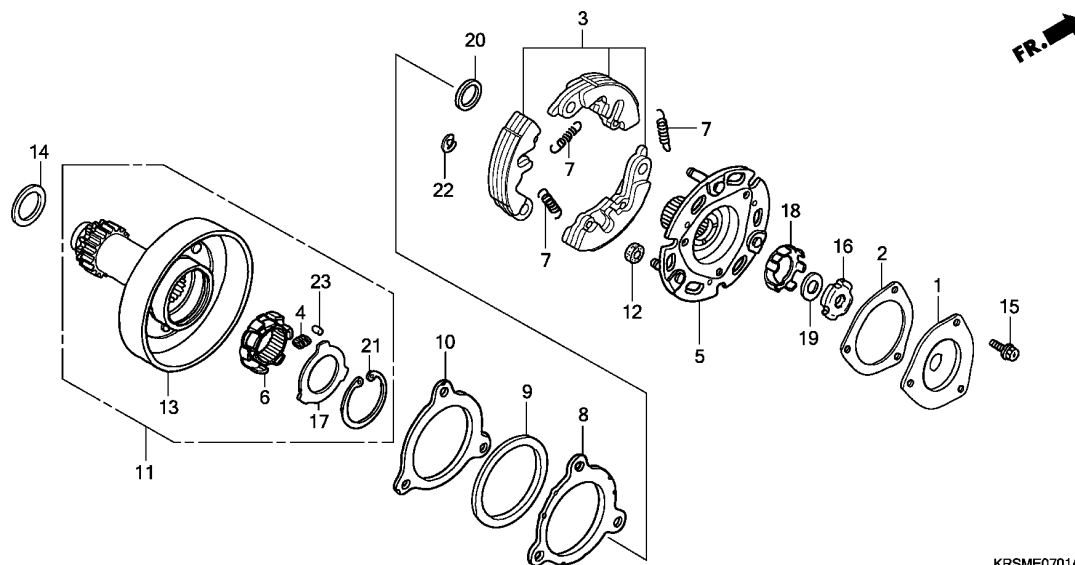


E-7-1

ONE WAY CLUTCH (ANF100DR/SR/MSR)

E10



KRSME0701A

| Ref. No. | L.O.N. | (Relative ref. Number) Description | F.R.T. |
|----------|--------|------------------------------------|--------|
| 1 | | (2) | |
| 2121D8 | | COVER, OIL FILTER | 0.7 |
| 3 | | (7,12) | |
| 2121A6 | | WEIGHT SET, CLUTCH | 1.0 |
| 5 | | 2121A2 PLATE, CLUTCH DRIVE | 1.0 |
| 6 | | (4,23) | |
| 2121D7 | | INNER, ONE-WAY CLUTCH | 1.0 |
| 11 | | 2121D9 OUTER, PRIMARY CLUTCH | 1.0 |
| 13 | | 211105 GEAR, PRIMARY DRIVE | 1.1 |

| Ref. No. | Part No. | Description | Reqd. QTY | | | | | Serial No. | Parts catalogue code |
|----------|---------------|--------------------------------|-----------|---|--------|---|---|------------|----------------------|
| | | | NF100 | | ANF100 | | 9 | | |
| | | | 4 | 5 | 6 | 8 | | | |
| 1 | 15431-HF7-010 | COVER, OIL FILTER | - | - | 1 | 1 | 1 | | |
| 2 | 15439-HF7-000 | GASKET, OIL FILTER | - | - | 1 | 1 | 1 | | |
| 3 | 22535-KFL-D00 | WEIGHT SET, CLUTCH | - | - | 1 | 1 | 1 | | |
| 4 | 22606-GN5-910 | SPRING, ONE WAY RETAINER ... | - | - | 6 | 6 | 6 | | |
| 5 | 22610-KFL-D00 | PLATE COMP., PRIMARY DRIVE ... | - | - | 1 | 1 | 1 | | |
| 6 | 22630-GB2-000 | INNER COMP., ONE-WAY CLUTCH - | - | - | 1 | 1 | 1 | | |
| 7 | 22641-KFL-D00 | SPRING, PRIMARY CLUTCH | - | - | 3 | 3 | 3 | | |
| 8 | 22642-KFL-850 | WASHER, CLUTCH SIDE | - | - | 1 | 1 | 1 | | |
| 9 | 22643-KFL-D00 | SPRING, SIDE FRICTION | - | - | 1 | 1 | 1 | | |
| 10 | 22644-KFL-851 | PLATE, CLUTCH SIDE | - | - | 1 | 1 | 1 | | |
| 11 | 22660-KTL-740 | OUTER ASSY., PRIMARY CLUTCH - | - | - | 1 | 1 | 1 | | |
| 12 | 22804-GB2-000 | RUBBER, CLUTCH DAMPER | - | - | 3 | 3 | 3 | | |
| 13 | 23120-KTL-740 | GEAR COMP., PRIMARY DRIVE ... | - | - | 1 | 1 | 1 | | |
| 14 | 23126-GCE-900 | COLLAR | - | - | 1 | 1 | 1 | | |
| 15 | 90083-KFL-850 | BOLT, SPECIAL FLANGE, 5X8 ... | - | - | 3 | 3 | 3 | | |
| 16 | 90231-198-000 | NUT B, LOCK, 14MM | - | - | 1 | 1 | 1 | | |
| 17 | 90401-GB2-000 | WASHER, 30X45X0.8 | - | - | 1 | 1 | 1 | | |
| 18 | 90431-GN5-910 | WASHER, LOCK | - | - | 1 | 1 | 1 | | |
| 19 | 90432-086-000 | WASHER B, LOCK | - | - | 1 | 1 | 1 | | |
| 20 | 90433-KW7-900 | WASHER, 17X23X3 | - | - | 1 | 1 | 1 | | |
| 21 | 90455-GB2-000 | CIRCLIP, INTERNAL, 45MM | - | - | 1 | 1 | 1 | | |
| 22 | 90605-166-720 | CIRCLIP, 7MM | - | - | 3 | 3 | 3 | | |
| 23 | 91101-GB2-000 | ROLLER, 5X8 | - | - | 6 | 6 | 6 | | |