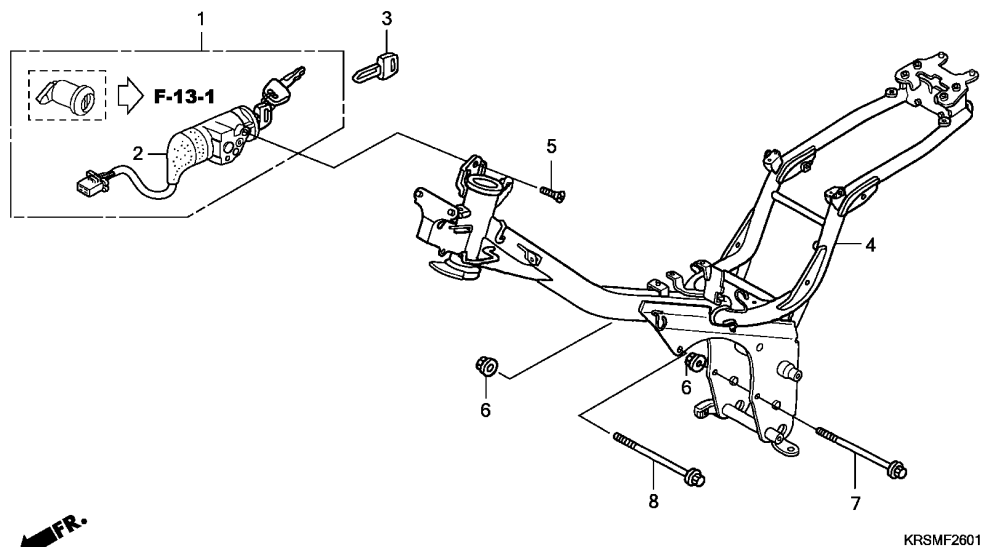


**F-26-1**

**FRAME BODY (ANF100DR/SR/MSR)**

**J11**



Ref. No.	L.O.N.	(Relative ref. Number) Description	F.R.T.
1	6151A1	KEY SET .....	1.1
2	615145	SWITCH, COMBINATION & LOCK ...	0.7
4	410100	BODY, FRAME .....	5.0
.INCLUDES: Engine removal and installation			

**3**

Ref. No.	Part No.	Description	Reqd. QTY					Serial No.	Parts catalogue code
			NF100 4	5	6	ANF100 8	9		
1	35010-KTL-740	KEY SET .....	-	-	1	1	1		
2	35100-KRS-971	SWITCH ASSY., COMBINATION & LOCK	-	-	1	1	1		
3	35121-KV8-680	KEY, BLANK (TYPE 1) (KEY NO. AXX / BXX)	-	-	1	1	1		
	35122-KV8-680	KEY, BLANK (TYPE 2) (KEY NO. CXX / DXX)	-	-	1	1	1		
4	50100-KTL-M00	BODY COMP., FRAME .....	-	-	1	-	1	----- DRMA	
	50100-KTL-M10	.....	-	-	1	-	1	----- MSRMA,SRMA	
5	90164-028-000	SCREW, U-LOCK FLAT, 6X12 ....	-	-	2	2	2		
6	94030-08000	NUT, HEX., 8MM .....	-	-	2	2	2		
7	95301-08100-00	BOLT, HEX., 8X100 .....	-	-	1	1	1		
8	95301-08110-08	BOLT, HEX., 8X110 .....	-	-	1	1	1		