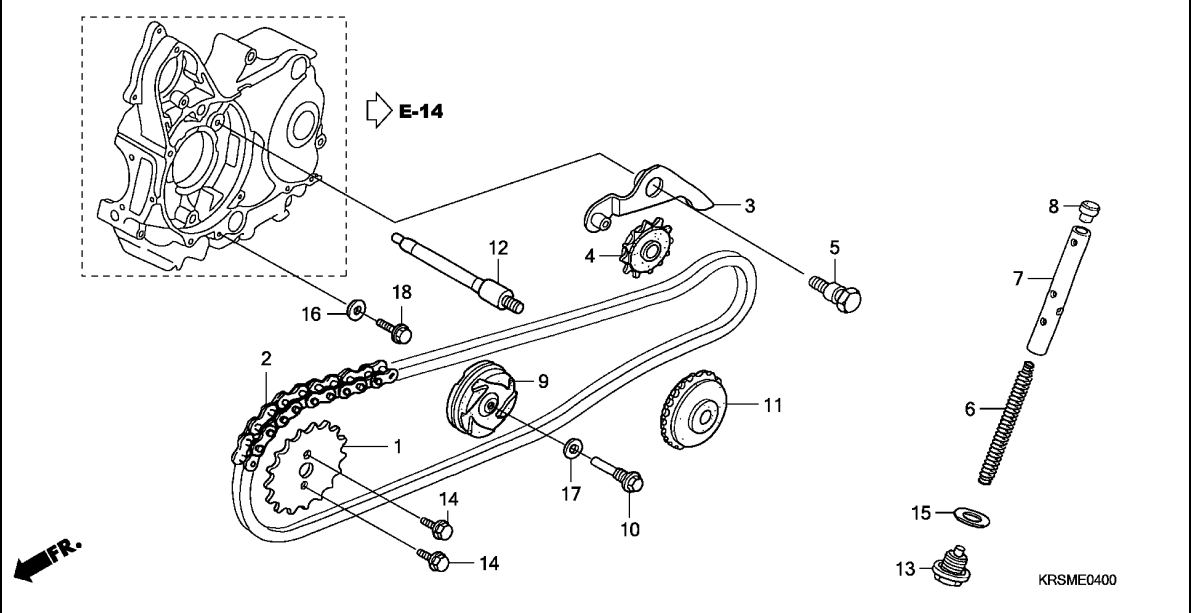


E-4

CAM CHAIN/TENSIONER

E 5



Ref. No.	L.O.N.	(Relative ref. Number) Description	F.R.T.
9	1111G4	ROLLER, CAM CHAIN GUIDE .....	1.2
11	1111J0	SPROCKET, CAM CHAIN GUIDE .... .INCLUDES: Engine removal and installation	4.0
		1111J0A .With starting motor type add	0.1
12	1111V3	BOLT, CAM CHAIN GUIDE ROLLER - .INCLUDES: Engine removal and installation	4.0
		1111V3A .With starting motor type add	0.1

