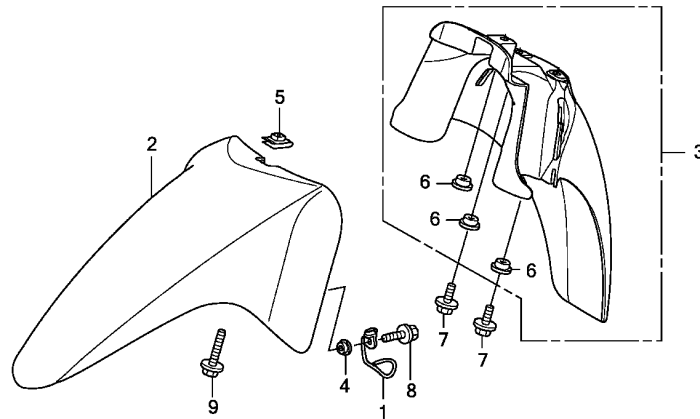


F-6-1

FRONT FENDER (ANF100DR/SR/MSR)

G15



Ref. No.	L.O.N.	(Relative ref. Number) Description	F.R.T.
2	413103	FENDER A, FRONTNOTE: Same time for two units	0.3
3	413104	FENDER B, FRONTNOTE: Same time for two units	0.3

Ref. No.	Part No.	Description	Reqd. QTY					Serial No.	Parts catalogue code
			NF100 4	5	6	ANF100 8	9		
1	45465-KTL-740	GUIDE, FR. BRAKE CABLE	-	-	1	1	1		
2	61100-KTL-690ZF	FENDER A, FR. *PB327M*...ONYX BLUE METALLIC	-	-	1	-	-	DRMA	
	61100-KTL-690ZC	*NH411M*FORCE SILVER METALLIC	-	-	1	-	-	MSRMA,SRMA	
	61100-KTL-690ZE	*PB325C*.CANDY LIGHTNING BLUE	-	-	1	-	-	MSRMA,SRMA	
	61100-KTL-690ZH	*R264C*.....CANDY LUCID RED	-	-	1	-	-	MSRMA,SRMA	
	61100-KTL-690ZK	*B196M*...NIPPIC BLUE METALLIC	-	-	1	-	-	DRMA	
	61100-KTL-690ZL	*GY135M*...KIWI GREEN METALLIC	-	-	1	-	-	DRMA	
	61100-KTL-690ZM	*YR279M* AUTUMN ORANGE METALLIC	-	-	1	-	-	DRMA	
	61100-KTL-690ZN	*RP177M*LUSH MAGENTA METALLIC	-	-	1	-	-	MSRMA,SRMA	
	61100-KTL-690ZS	*NH341P*.PEARL FADELESS WHITE	-	-	-	1	-	MSRMA,SRMA	
	61100-KTL-690ZA	*NH1*.....BLACK	-	-	-	1	-		
	61100-KTL-690ZU	*R331*.....VIVACITY RED	-	-	-	1	1		
	61100-KTL-690ZV	*B206M*...VITAL BLUE METALLIC	-	-	-	-	1	DRMA	
	61100-KTL-690ZW	*NHA69P* PEARL MAGELLANIC BLACK	-	-	-	-	1	DRMA	
	61100-KTL-690ZX	*Y106*.....CLIPPER YELLOW	-	-	-	-	1	MSRMA,SRMA	
3	61200-KTL-640	FENDER B, FR.	-	-	1	1	1		
4	81312-KPH-900	COLLAR, FR. FENDER	-	-	2	2	2		
5	84601-HA7-670	NUT, FENDER SETTING	-	-	1	1	1		
6	90503-KBP-900	COLLAR, MAIN SIDE COVER	-	-	3	3	3		
7	96001-06014-00	BOLT, FLANGE, 6X14	-	-	2	2	2		
8	96001-06016-00	BOLT, FLANGE, 6X16	-	-	2	2	2		
9	96001-06025-00	BOLT, FLANGE, 6X25	-	-	1	1	1		

3