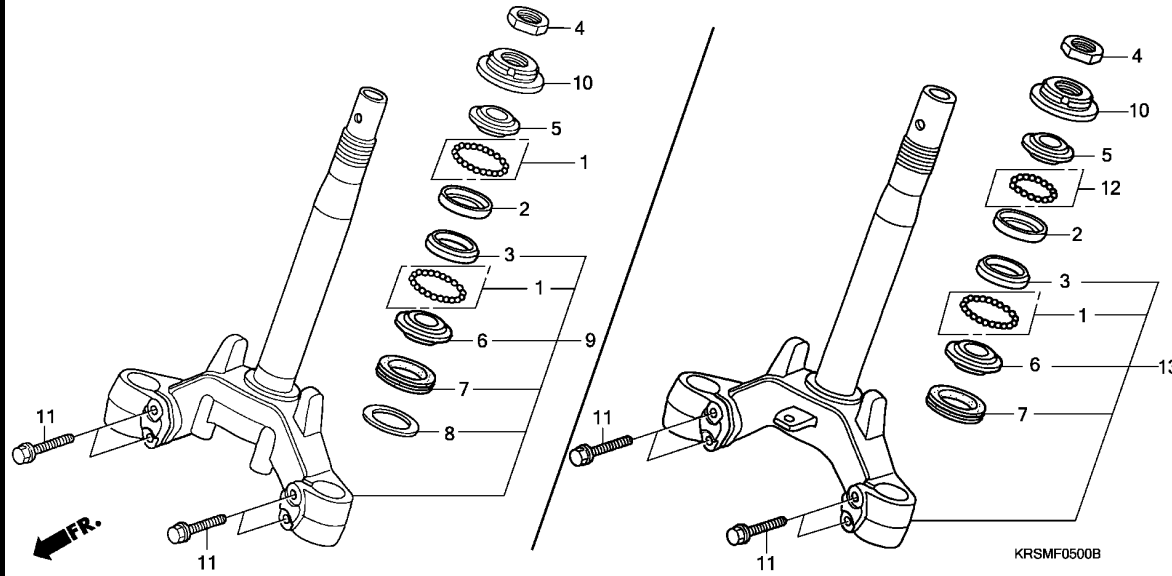


F-5

STEERING STEM

G13



| Ref. No. | L.O.N. | (Relative ref. Number) Description | F.R.T. |
|----------|--------|---------------------------------------|--------|
| +10 | | .NOTE: '08- model | |
| 13 | 510100 | STEM OR SHAFT ASSY., STEERING | 1.2 |