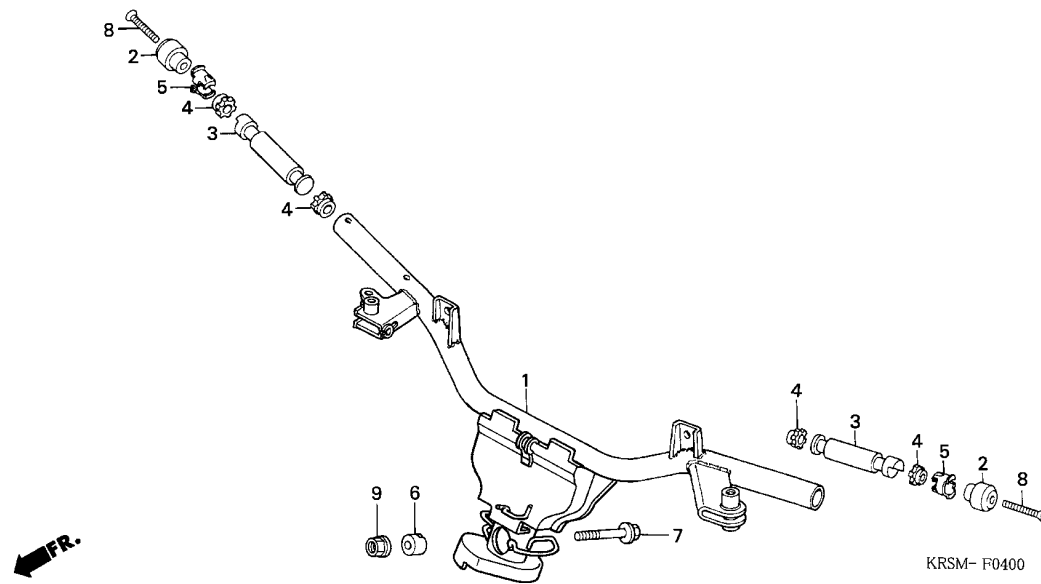


F-4

HANDLE PIPE (NF100/M/DM/MDM)

G10



Ref. No.	L.O.N.	(Relative ref. Number) Description	F.R.T.
1	810100	PIPE, STEERING HANDLE	0.8
3	8101D6	WEIGHT B, HANDLE :LEFT	0.2
	8101D7	WEIGHT B, HANDLE :RIGHT	0.2
	8101D8	WEIGHT B, HANDLE :BOTH	0.4

Ref. No.	Part No.	Description	Reqd. QTY					Serial No.	Parts catalogue code
			NF100 4	5	6	ANF100 8	9		
1	53100-KRS-940	HANDLE COMP., STEERING	1	1	-	-	-		
2	53105-KEV-901	WEIGHT A, STEERING HANDLE ...	2	2	-	-	-		
3	53106-KEV-900	WEIGHT B, STEERING HANDLE ...	2	2	-	-	-		
4	53107-KW7-930	RUBBER, HANDLE WEIGHT	4	4	-	-	-		
5	53108-KR3-770	RING, HANDLE WEIGHT SNAP	2	2	-	-	-		
6	53125-KAN-850	COLLAR, HANDLE SETTING	1	1	-	-	-		
7	90106-GN5-900	BOLT, FLANGE, 10X50	1	1	-	-	-		
8	90191-KPH-880	SCREW, OVAL, 6X70	2	2	-	-	-		
9	90304-KGH-901	NUT, U, 10MM	1	1	-	-	-		

3