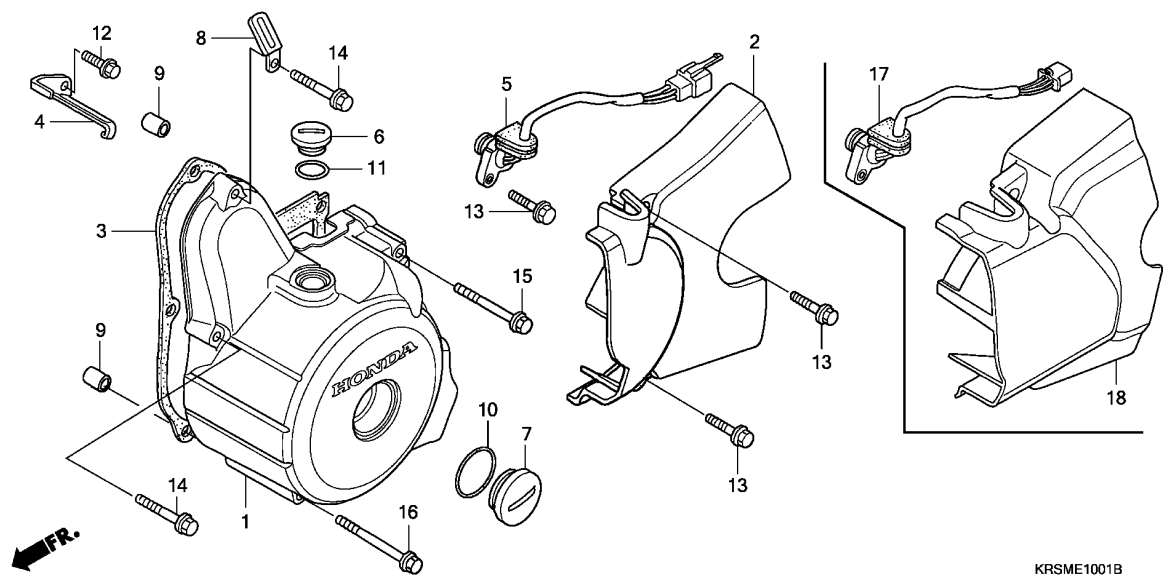


E-10-1

LEFT CRANKCASE COVER (NF100M/MDM/ANF100MSR)

E15



Ref. No.	L.O.N.	(Relative ref. Number) Description	F.R.T.
1	1101A6	COVER, CRANKCASE :LEFT	0.5
	1101A6B	. '06 model add	0.2
	1101P4	COVER, CRANKCASE(A) :LEFT	0.7
		.NOTE: '08- model (18)	
2	1101B0	COVER, CRANKCASE :LEFT REAR ..	0.1
3	1101A3	GASKET, CRANKCASE COVER :LEFT ..	0.4
	1101A3B	. '06 model add	0.2
	1101P5	GASKET, CRANKCASE COVER(A) :LEFT	0.6
		.NOTE: '08- model	
5	615125	SWITCH, GEAR CHANGE	0.5
17	615125	SWITCH, GEAR CHANGE	0.6

Ref. No.	Part No.	Description	Reqd. QTY					Serial No.	Parts catalogue code
			NF100 4	5	ANF100 6	8	9		
1	11341-KRS-930	COVER, L. CRANKCASE	1	1	-	-	-	MDMA, MMA	
	11341-KRS-600	-	-	1	-	1	MSRMA	
2	11360-KRS-940	COVER, L. RR. CRANKCASE	1	1	-	-	-	MDMA, MMA	
3	11395-GBJ-730	GASKET, L. CRANKCASE COVER ..	1	1	1	-	1	MDMA, MMA, MSRMA	
4	32961-KFL-850	CLAMPER, A.C. GENERATOR CORD	1	1	1	-	1	MDMA, MMA, MSRMA	
5	35759-KFL-852	CONTACT ASSY., CHANGE SWITCH	1	1	-	-	-	MDMA, MMA	
6	90084-GN5-830	CAP, A.C. GENERATOR	1	1	-	-	-	MDMA, MMA	
	90084-GN5-640	-	-	1	-	1	MSRMA	
7	90087-GN5-830	CAP, 30MM	1	1	-	-	-	MDMA, MMA	
	90087-GN5-640	-	-	1	-	1	MSRMA	
8	90601-KJ9-000	CLIP, 4X50	1	1	1	-	1	MDMA, MMA, MSRMA	
9	90702-KFM-900	DOWEL PIN, 8X12	2	2	2	-	2	MDMA, MMA, MSRMA	
10	91301-028-000	O-RING, 27X2.0	1	1	1	-	1	MDMA, MMA, MSRMA	
11	91303-377-000	O-RING, 13.8X2.5	1	1	1	-	1	MDMA, MMA, MSRMA	
12	96001-06016-00	BOLT, FLANGE, 6X16	1	1	1	-	1	MDMA, MMA, MSRMA	
13	96001-06020-00	BOLT, FLANGE, 6X20	3	3	3	-	3	MDMA, MMA, MSRMA	
14	96001-06032-00	BOLT, FLANGE, 6X32	2	2	2	-	2	MDMA, MMA, MSRMA	
15	96001-06050-00	BOLT, FLANGE, 6X50	1	1	1	-	1	MDMA, MMA, MSRMA	
16	96001-06070-00	BOLT, FLANGE, 6X70	1	1	1	-	1	MDMA, MMA, MSRMA	
17	35759-KTL-741	SWITCH ASSY., CHANGE	-	-	1	-	1	MSRMA	
18	11361-KTL-740	COVER, L. RR. CRANKCASE	-	-	1	-	1	MSRMA	

2