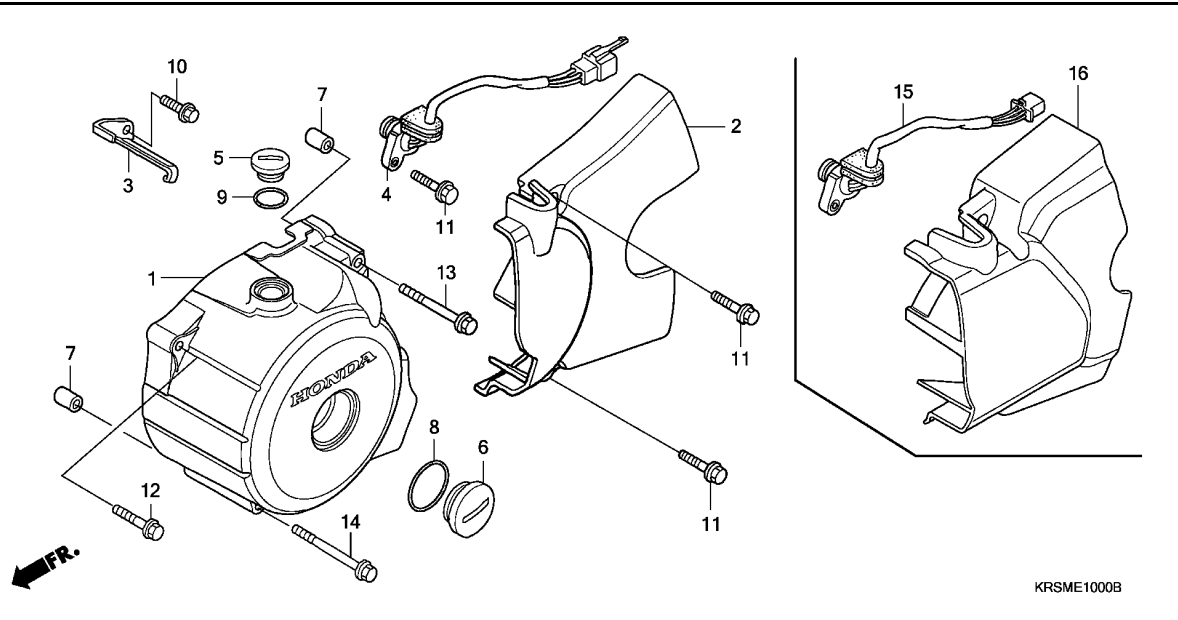


E-10

LEFT CRANKCASE COVER (NF100/DM/ANF100DR/SR)

E13



Ref. No.	L.O.N.	(Relative ref. Number) Description	F.R.T.
1	1101A6	COVER, CRANKCASE :LEFT (16)	0.4
2	1101B0	COVER, CRANKCASE :LEFT REAR	0.1
4	615125	SWITCH, GEAR CHANGE	0.5
15	615125	SWITCH, GEAR CHANGE	0.6

Ref. No.	Part No.	Description	Reqd. QTY					Serial No.	Parts catalogue code
			NF100 4	5	6	ANF100 8	9		
1	11341-KRS-940	COVER, L. CRANKCASE	1	1	-	-	-	DMMA,MA	
	11341-KRS-620	.....	-	-	1	-	-	DRMA,SRMA	
2	11360-KRS-940	COVER, L. RR. CRANKCASE	1	1	-	-	-	DMMA,MA	
3	32961-KFL-850	CLAMPER, A.C. GENERATOR CORD	1	1	1	-	1	DMMA,DRMA,MA,SRMA	
4	35759-KFL-852	CONTACT ASSY., CHANGE SWITCH	1	1	-	-	-	DMMA,MA	
5	90084-GN5-830	CAP, A.C. GENERATOR	1	1	-	-	-	DMMA,MA	
	90084-GN5-640	.....	-	-	1	-	1	DRMA,SRMA	
6	90087-GN5-830	CAP, 30MM	1	1	-	-	-	DMMA,MA	
	90087-GN5-640	.....	-	-	1	-	1	DRMA,SRMA	
7	90702-KFM-900	DOWEL PIN, 8X12	2	2	2	-	2	DMMA,DRMA,MA,SRMA	
8	91301-028-000	O-RING, 27X2.0	1	1	1	-	1	DMMA,DRMA,MA,SRMA	
9	91303-377-000	O-RING, 13.8X2.5	1	1	1	-	1	DMMA,DRMA,MA,SRMA	
10	96001-06016-00	BOLT, FLANGE, 6X16	1	1	1	-	1	DMMA,DRMA,MA,SRMA	
		.....	-	-	-	1	-		
11	96001-06020-00	BOLT, FLANGE, 6X20	3	3	3	-	3	DMMA,DRMA,MA,SRMA	
		.....	-	-	-	3	-		
12	96001-06032-00	BOLT, FLANGE, 6X32	1	1	1	-	1	DMMA,DRMA,MA,SRMA	
		.....	-	-	-	1	-		
13	96001-06060-00	BOLT, FLANGE, 6X60	1	1	1	-	1	DMMA,DRMA,MA,SRMA	
		.....	-	-	-	1	-		

