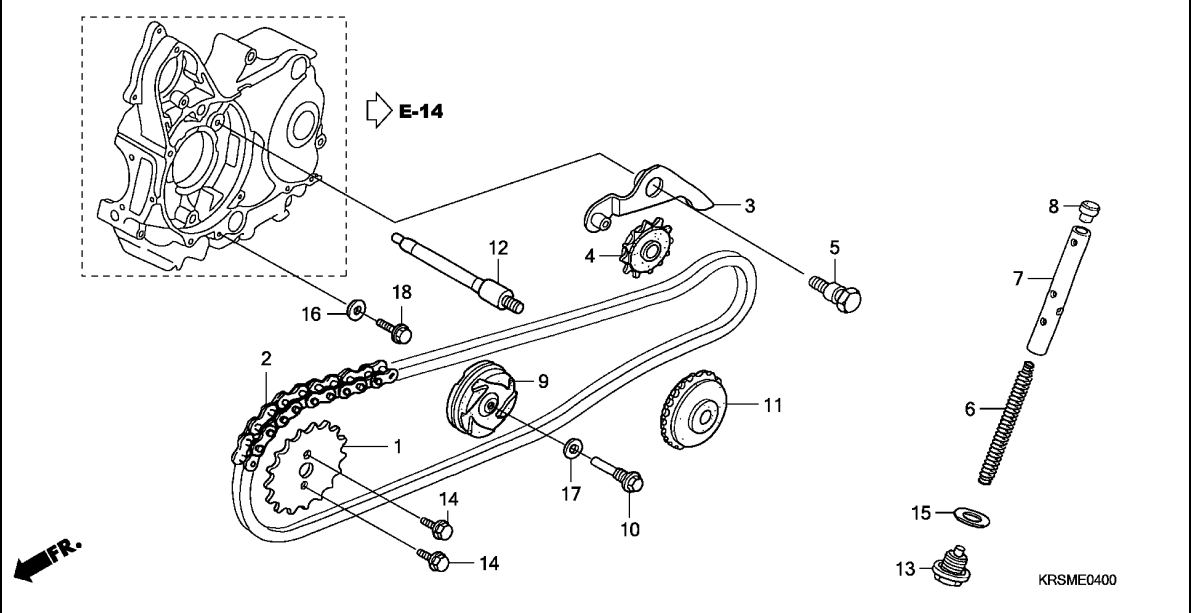


E-4

CAM CHAIN/TENSIONER

E 5



| Ref. No. | L.O.N. | (Relative ref. Number)<br>Description      | F.R.T. |
|----------|--------|--|--------|
| 9        | 1111G4 | ROLLER, CAM CHAIN GUIDE .....              | 1.2    |
| 11       | 1111J0 | SPROCKET, CAM CHAIN GUIDE ....             | 4.0    |
|          |        | .INCLUDES: Engine removal and installation |        |
|          |        | 1111J0A .With starting motor type add      | 0.1    |
| 12       | 1111V3 | BOLT, CAM CHAIN GUIDE ROLLER -             | 4.0    |
|          |        | .INCLUDES: Engine removal and installation |        |
|          |        | 1111V3A .With starting motor type add      | 0.1    |

2