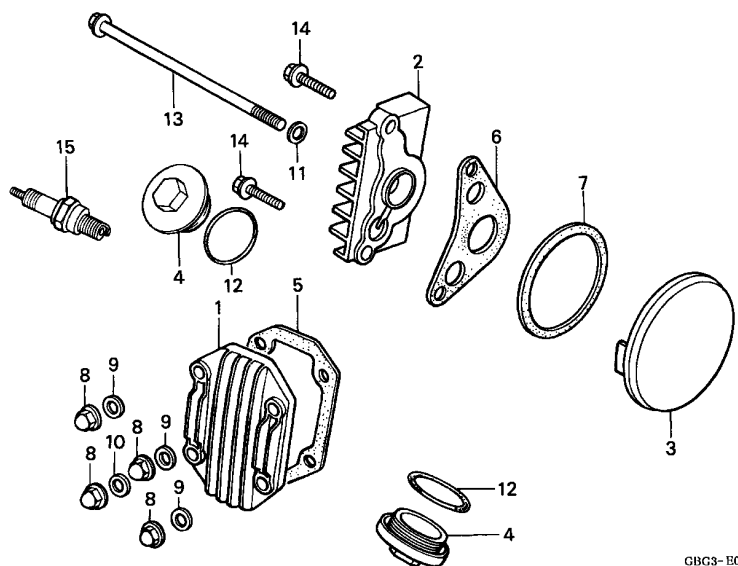


E-1

CYLINDER HEAD COVER

E 1



Ref. No.	L.O.N.	(Relative ref. Number) Description	F.R.T.
1	(5)	COVER, CYLINDER HEAD	0.3
2	(6)	COVER, CYLINDER HEAD SIDE	
		:RIGHT	0.3
		:LEFT	
		:BOTH	0.3
3	(7)	COVER, CYLINDER HEAD SIDE	
		:LEFT	0.2
		:RIGHT	
		:BOTH	0.3
15	614130	PLUG, SPARK	0.1

Ref. No.	Part No.	Description	Reqd. QTY					Serial No.	Parts catalogue code
			NF100 4	5	6	ANF100 8	9		
1	12301-GB6-910	COVER, CYLINDER HEAD	1	1	1	1	-		
	12301-GB6-911	-	-	-	-	1		
2	12331-KFL-850	COVER, R. CYLINDER HEAD SIDE	1	1	1	1	1		
3	12341-KFL-850	COVER, L. CYLINDER HEAD SIDE	1	1	1	1	1		
4	12361-035-000	CAP, TAPPET ADJUSTING HOLE ..	2	2	2	2	2		
5	12391-GW8-680	GASKET, CYLINDER HEAD COVER ..	1	1	1	1	1		
6	12394-KFL-850	GASKET, R. CYLINDER HEAD SIDE							
		COVER	1	1	1	1	1		
7	12395-KFL-850	GASKET, L. CYLINDER HEAD SIDE							
		COVER	1	1	1	1	1		
8	90201-GF6-010	NUT, CAP, 7MM	4	4	4	4	4		
9	90442-GF6-010	WASHER, SEALING, 7MM	3	3	3	3	3		
10	90443-GF6-010	WASHER A, SEALING, 7MM	1	1	1	1	1		
11	90461-357-000	WASHER, SEALING, 12MM	1	1	1	1	1		
12	91302-KEV-900	O-RING, 30.8X3	2	2	2	2	2		
13	95701-06110-00	BOLT, FLANGE, 6X110	1	1	1	1	1		
14	96001-06025-00	BOLT, FLANGE, 6X25	2	2	2	2	2		
15	98056-56713	PLUG, SPARK (C6HSA) (NGK)	1	1	1	1	1		
	98056-56723	PLUG, SPARK (U20FS-U) (DENSO)	1	1	1	1	1		
	98056-57713	PLUG, SPARK (C7HSA) (NGK)	(1)	(1)	(1)	(1)	(1)		
	98056-57723	PLUG, SPARK (U22FS-U) (DENSO)	(1)	(1)	(1)	(1)	(1)		

