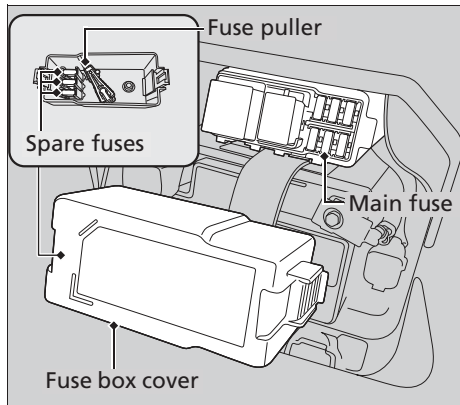


## Blown Fuse

Before handling fuses, see “Inspecting and Replacing Fuses”. ► P. 53

### Fuse Box Fuses



1. Remove the battery cover. ► P. 60
2. Open the fuse box cover.
3. Pull the main fuse and other fuses out one by one with the fuse puller located inside of the fuse box cover. Check for a blown fuse. Always replace a blown fuse with a spare of the same rating.
4. Install the fuse box cover.
5. Install the battery cover.

#### NOTICE

If a fuse fails repeatedly, you likely have an electrical problem. Have your scooter inspected by your dealer.