

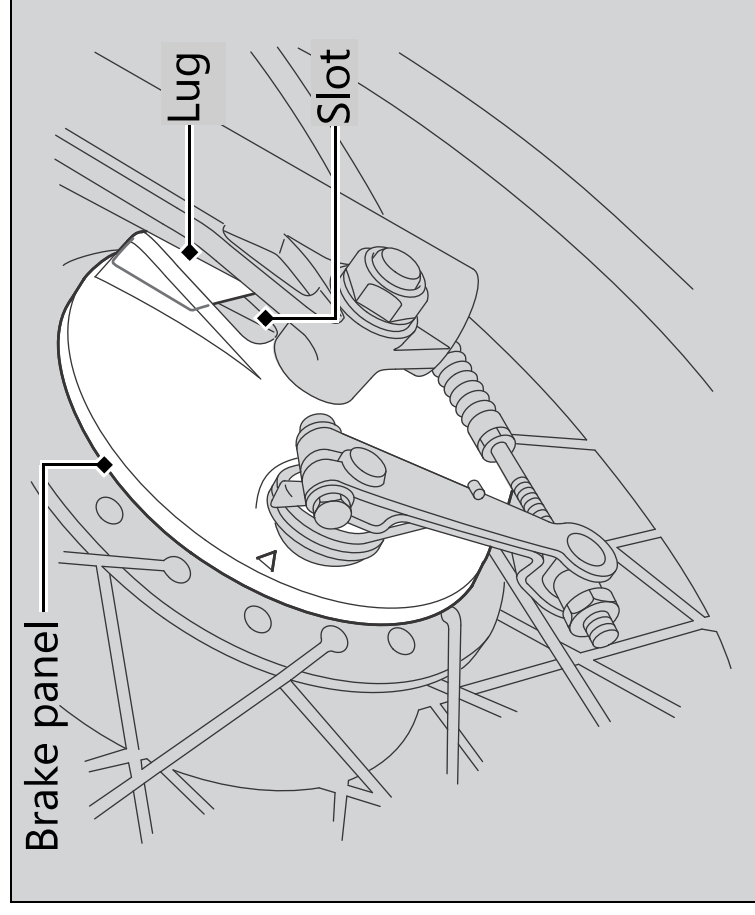
Installation

1. Install the side collar into the right side wheel hub.
2. Position the wheel between the fork legs and insert the front axle shaft from the right side, through the right fork leg and wheel hub.
3. Make sure that the lug on the left fork leg is located in the slot of the brake panel.
4. Tighten the front axle nut.

Torque: 59 N·m (6.0 kgf·m, 44 lbf·ft)

5. Install the front brake cable and front brake adjusting nut.
6. Adjust the front brake lever freeplay.
➔ P. 55
7. After installing the wheel, apply the brake lever several times and then check if the wheel rotates freely. Recheck the wheel if the brake drags or if the wheel does not rotate freely.

8. Install the speedometer cable securely.



If a torque wrench was not used for installation, see your dealer as soon as possible to verify proper assembly. Improper assembly may lead to loss of braking capacity.