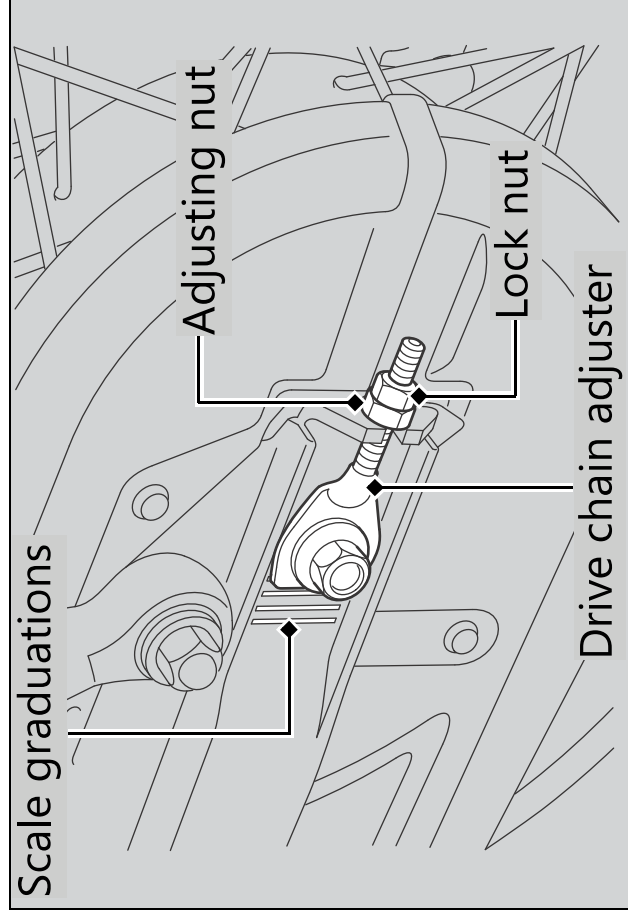
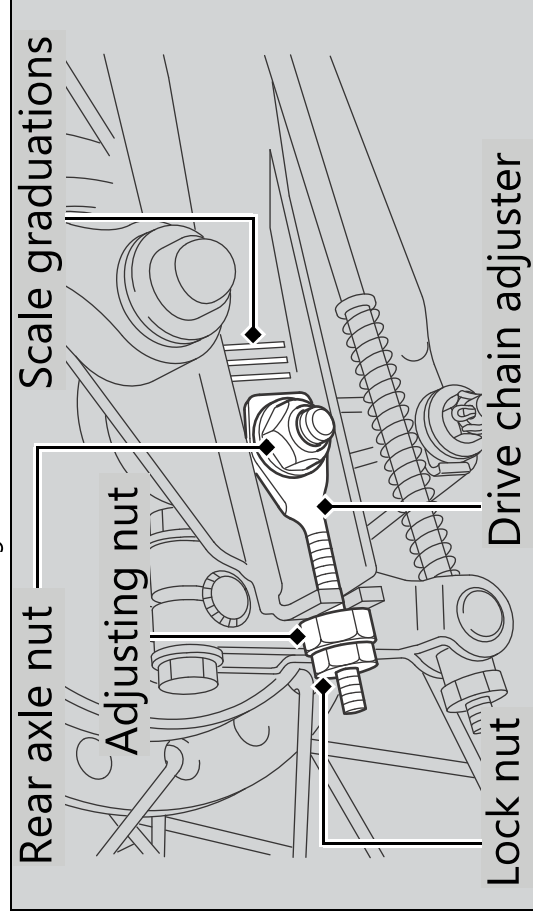


Adjusting the Drive Chain Slack

Adjusting the chain requires special tools.

Have the drive chain slack adjusted by your dealer.

1. Shift the transmission to Neutral. Stop the engine.
2. Place your motorcycle on its centre stand on a firm, level surface.
3. Remove the inspection hole cap. ► P. 62
4. Loosen the rear axle nut.
5. Loosen the lock nuts on both sides of the drive chain adjusters.



6. Turn both adjusting nuts an equal number of turns until the correct drive chain slack is obtained. Turn the adjusting nuts clockwise to tighten the chain. Turn the adjusting nuts counterclockwise to provide more slack. Adjust the slack at a point midway between the drive and the driven sprocket.

Check the drive chain slack. ► P. 62