

## Starting the Engine (Continued)

- 1 Turn the ignition switch to the ON position.
- 2 Shift the transmission to Neutral (N indicator comes on).

### 3 Using the start button

**NBC110MDF/MCD**

With the throttle completely closed. Press the start button.

#### Using the kickstarter

Lightly depress the kickstarter until resistance is felt.

Then let the kickstarter return to the top of its stroke.

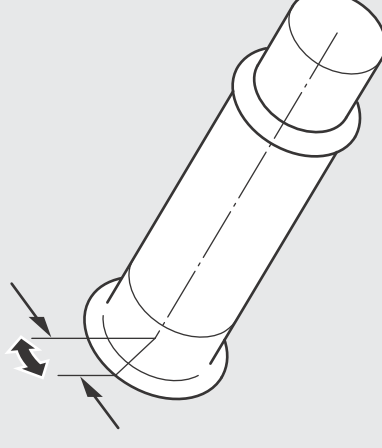
With the throttle completely closed. Operate the kickstarter. Kick from the top of the stroke through to the bottom with a rapid, continuous motion.

- ▶ Do not operate the kickstarter while the engine is running as engine damage could result. Do not apply excessive force on the kickstarter.

- ▶ Fold up the kickstarter after the kickstarter is returned to the pedal stop.

If you cannot start the engine, open the throttle slightly (about 3 mm without freeplay) and press the start button or operate the kickstarter.

**About 3 mm, without freeplay**



- 4 Warm up the engine by opening and closing the throttle slightly.

**If Engine Will Not Start** **P.72**