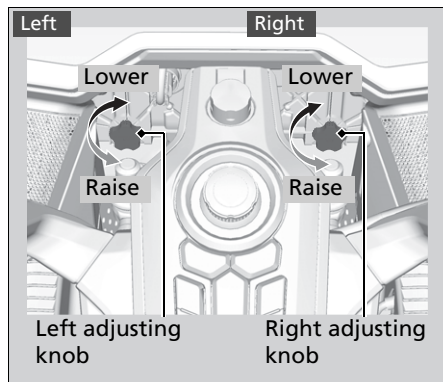


### Adjusting the Headlight Aim

You can adjust vertical aim of the headlight for proper alignment. Turn the adjusting knob in or out as necessary. Obey local laws and regulations.

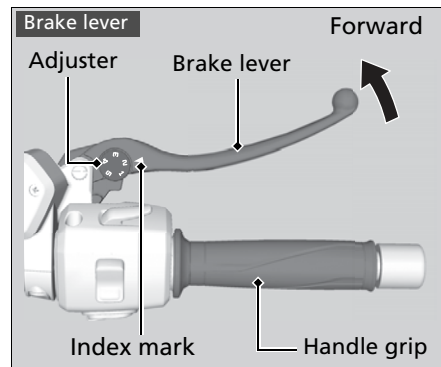
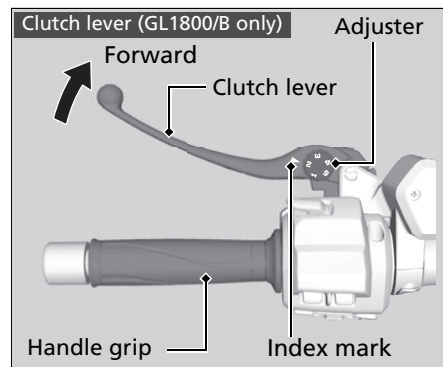


### Adjusting the Clutch and Brake Levers

You can adjust the distances between the tip of the clutch lever (GL1800/B) and handle grip, and between the tip of the brake lever and handle grip.

#### Adjustment method

Turn the adjuster until the numbers align with the index mark while pushing the lever forward in the desired position.



After adjustment, check that the lever operates correctly before riding.

#### NOTICE

Do not turn the adjuster beyond its natural limit.