

Adjusting the Rear Suspension

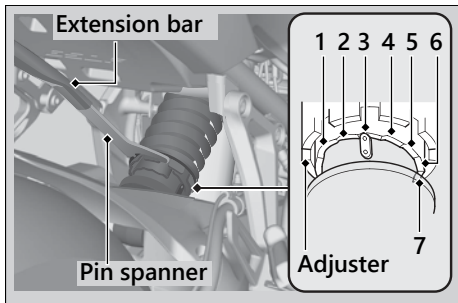
Adjusting the suspension requires a pin spanner. We recommend that you have your motorcycle serviced by your dealer.

Spring Preload

You can adjust the spring preload by the adjuster to suit the load or the road surface. Use a pin spanner and extension bar to turn the adjuster.

Positions 1 to 2 are for a decrease spring preload (soft), or turn the position 4 to 7 increase spring preload (hard).

The standard position is 3.



NOTICE

Attempting to adjust directly from 1 to 7 or 7 to 1 may damage the shock absorber. Do not turn the adjuster beyond its limits.

NOTICE

The rear shock absorber damper unit contains high pressure nitrogen gas. Do not attempt to disassemble, service, or improperly dispose of the damper. See your dealer.