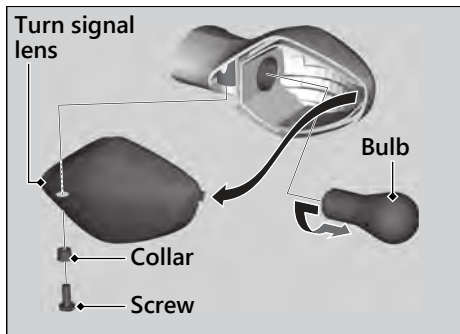


Front/Rear Turn Signal Bulb

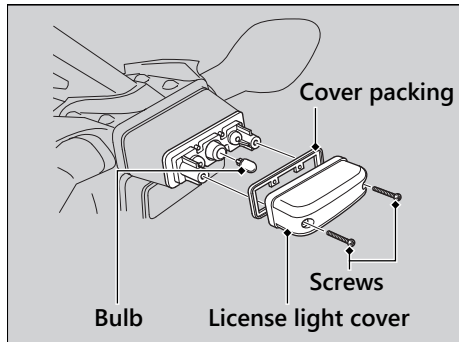
1. Remove the screw and collar.
2. Remove the turn signal lens.
3. Slightly press the bulb and turn it counterclockwise.



4. Install a new bulb and reinstall the parts in the reverse order of removal.

License Plate Light Bulb

1. Remove the screws, license light cover and license light cover packing.
2. Pull out the bulb without turning.



3. Install a new bulb and reinstall the parts in the reverse order of removal.