

Adjusting the Rear Suspension

Adjusting the suspension requires a pin spanner. We recommend that you have your motorcycle serviced by your dealer.

Spring Preload

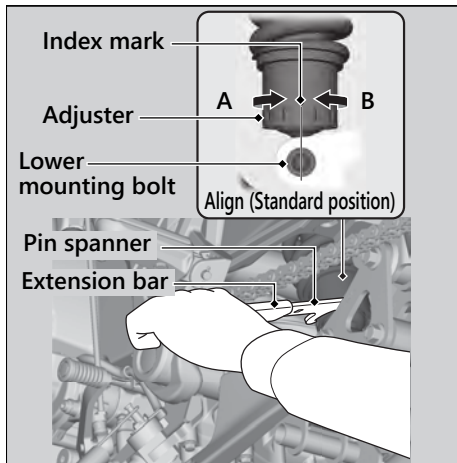
You can adjust the spring preload by the adjuster to suit the load or the road surface. Turn the adjuster using a suitable pin spanner and extension bar.

The preload adjuster has 9 positions. The standard position is 4 when the index mark on the adjuster is aligned with the left end of the rear shock absorber lower mounting bolt.

Turn the adjuster in the direction A to decrease spring preload (soft) (position 1 to 3), or turn the adjuster in the direction B to increase spring preload (hard) (position 5 to 9).

NOTICE

Attempting to adjust directly from 1 to 9 or 9 to 1 may damage the shock absorber.



NOTICE

Do not turn the adjuster beyond its limits.