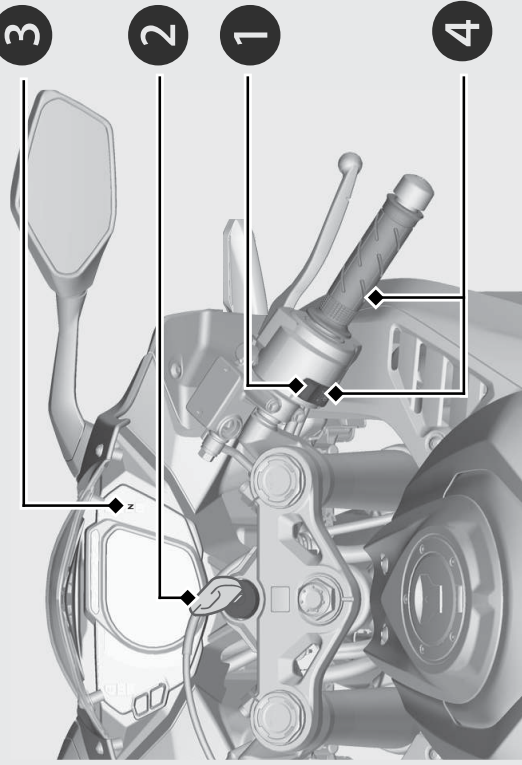




Starting the Engine

Start your engine using the following procedure, regardless of whether the engine is cold or warm.

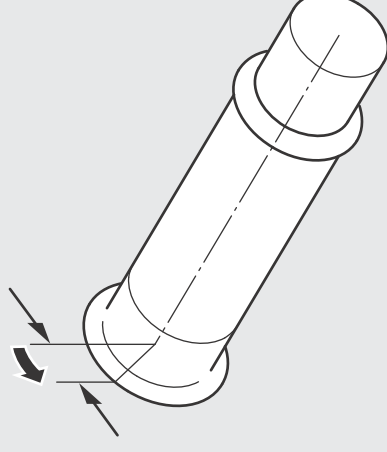


- 1 Make sure the engine stop switch is in the  (Run) position.
- 2 Turn the ignition switch to the ON position.
- 3 Shift the transmission to Neutral () indicator comes on).
- 4 Press the start button with the throttle completely closed.

If you cannot start the engine:

With the throttle slightly open (about 3 mm, without freeplay) while starting the engine.

About 3 mm, without freeplay



NOTICE

- If the engine does not start within 5 seconds, turn the ignition switch to the OFF position and wait 10 seconds before trying to start the engine again to recover battery voltage.
- Extended fast idling and revving the engine can damage the engine, and the exhaust system.
- The engine will not start if the throttle is fully open.