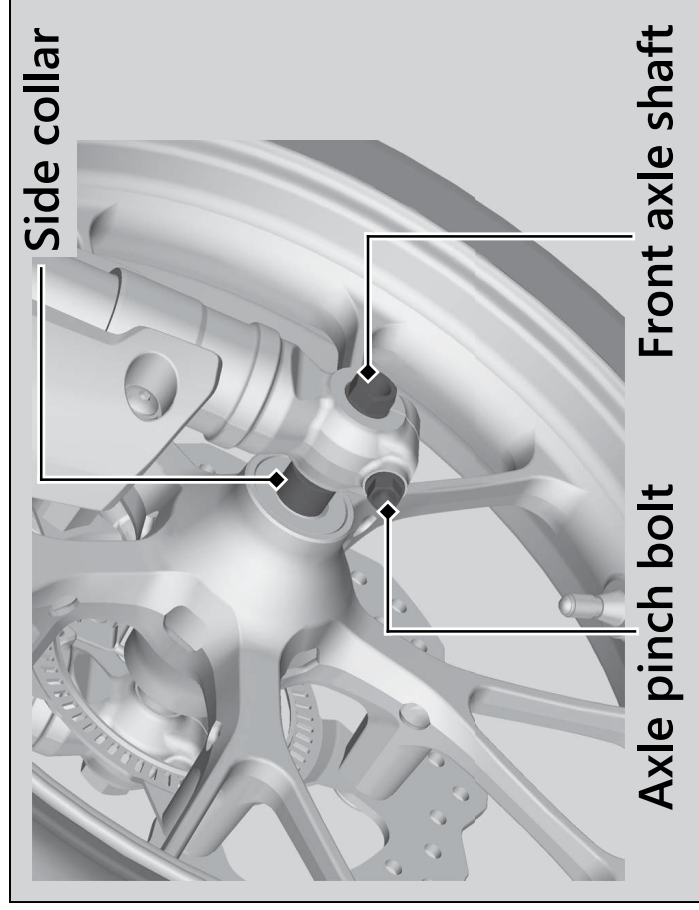


6. Remove the front axle nut, front axle shaft, front wheel and side collars.
 - Avoid getting grease, oil, or dirt on the disc or pad surfaces.
 - Do not pull the brake lever while the front wheel is removed.



Installation

1. Attach the side collars to the front wheel.
2. Position the front wheel between the fork legs and insert the front axle shaft from the left side, through the left fork leg and wheel hub.

NOTICE

When installing a wheel or caliper into original position, carefully fit the brake disc between the pads to avoid scratching them.

3. Install and tighten the front axle nut.

Torque: 59 N·m (6.0 kgf·m, 44 lbf·ft)

4. Tighten the axle pinch bolt on both sides.

Torque: 24 N·m (2.4 kgf·m, 18 lbf·ft)