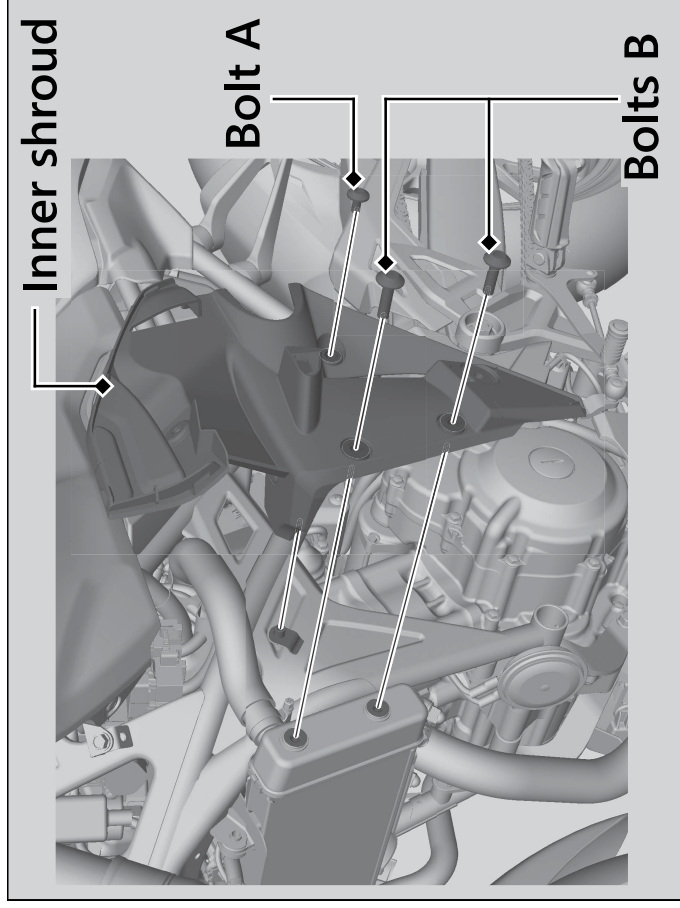


3. Remove the inner shroud bolt A, bolts B and inner shroud.



Installation

1. Install the inner shroud and tighten the inner shroud bolts B.

Torque: 10 N·m (1.0 kgf·m, 7 lbf·ft)

2. Install and tighten the inner shroud bolt A.

Torque: 4.2 N·m (0.4 kgf·m, 3.1 lbf·ft)

3. Install the outer shroud by inserting its tab into the slot on the inner shroud.

4. Install and tighten the outer shroud bolt.

Torque: 4.2 N·m (0.4 kgf·m, 3.1 lbf·ft)

5. Install the clip.