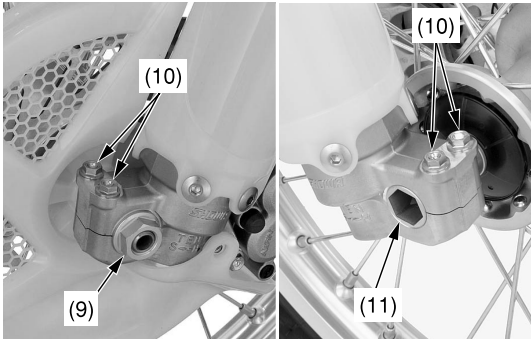


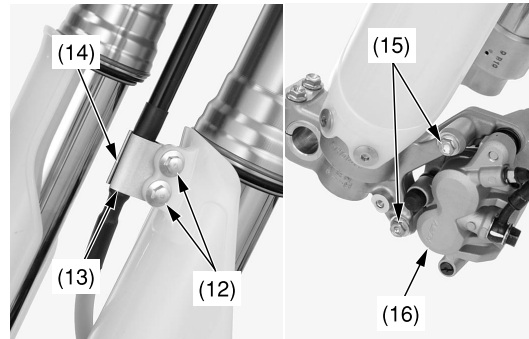
Front Suspension Adjustments

7. Remove the front axle nut (9) and loosen the axle pinch bolts (10) on both forks. Pull the front axle shaft (11) out of the wheel hub and remove the front wheel with disc cover/collar.



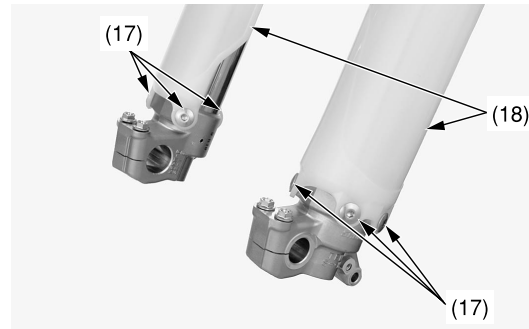
(9) front axle nut
(10) axle pinch bolts
(11) front axle shaft

8. Remove the brake hose clamp bolts (12), stay A (13) and stay B (14).
9. Remove the brake caliper mounting bolts (15) and brake caliper (16).
- Do not support the brake caliper by the brake hose.
 - Do not operate the brake lever after the front wheel is removed. To do so will cause difficulty in fitting the brake disc between the brake pads.



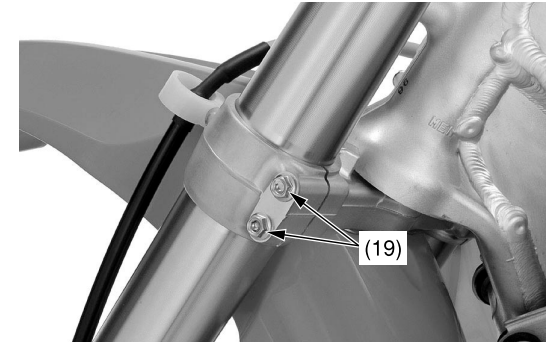
(12) brake hose clamp bolts
(13) stay A
(14) stay B
(15) brake caliper mounting bolts
(16) brake caliper

10. Remove the fork protector socket bolts (17) and fork protectors (18).



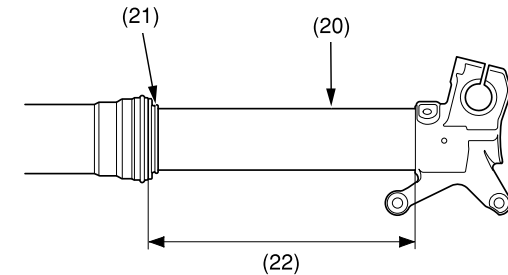
(17) fork protector socket bolts
(18) fork protectors

11. Loosen the fork bridge lower pinch bolts (19), then pull the fork legs down and out.



(19) fork bridge lower pinch bolts

12. Clean the fork assembly, especially the sliding surface (20) of the slider and fork dust seal (21).
13. Measure the length (22) between the axle holder and outer tube and record it before disassembling the fork.



(20) sliding surface
(21) fork dust seal
(22) length

(cont'd)