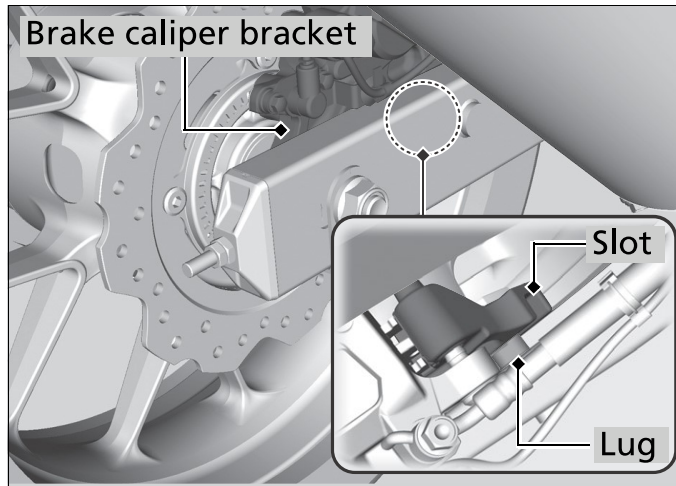


## Tyre Puncture ► Removing Wheels

2. Make sure that the slot on the brake caliper bracket is positioned in the lug on the swingarm.



3. Adjust the drive chain. ► P. 71
4. Tighten the rear axle nut.

**Torque:** 88 N·m (9.0 kgf·m, 65 lbf·ft).

5. Tighten the drive chain adjusting nuts lightly, then hold the adjusting nuts and tighten the lock nuts.

**Torque:** 21 N·m (2.1 kgf·m, 15 lbf·ft).

6. After installing the wheel, apply the brake pedal several times, then check if the wheel rotates freely. Recheck the wheel if the brake drags or if the wheel does not rotate freely.

If a torque wrench was not used for installation, see your dealer as soon as possible to verify proper assembly. Improper assembly may lead to loss of braking capacity.

Troubleshooting